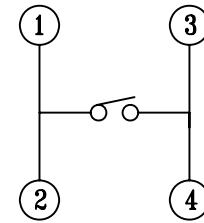
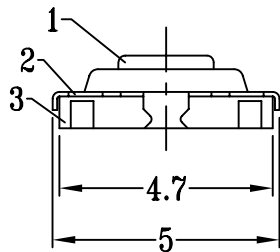
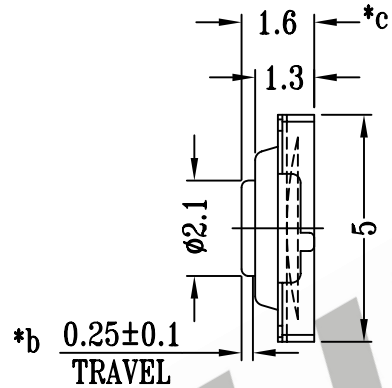
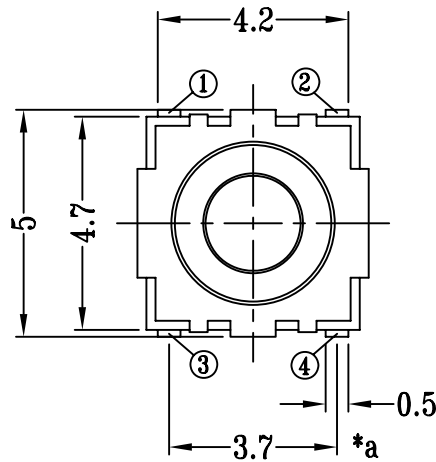
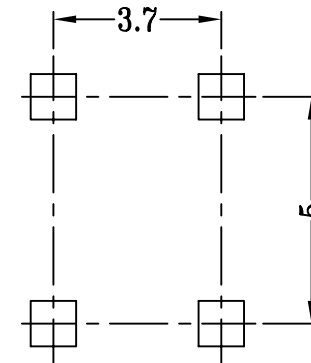


CAD FILE:



CIRCUIT DIAGRAM



P.C.B LAYOUT

OPERATING FORCE	CODE
160±50gf	X
250±100gf	Z

注:带\*表示关键尺寸(3个)

				TOLERANCE UNLESS SPECIFIED	SHENZHEN XIEJIA ELECTRONICS CO.,LTD.					
8										
7										
6				WITHIN: 1.5±0.1mm						
5	SEAL PLATE	PET	1	OVER: 1.5±0.2mm	ISSUE	DATE	DESCRIPTIONS OF REVISION		APPD.	
4	CONTACT	0.06mm SUS	1	Ag CLAD	TITLE: TACT SWITCH		UNIT : mm	DRWG NO.: XJ-DR-TD23MU-00		
3	CASE	NYLON+F.G+94V0/BRASS STRIP	1	BLACK/Ag PLATED OVER Ni PLATED	MODEL: TD-23MU		SCALE: 6 : 1	DWN.	ZHOUYU	2003-4-6
2	COVER	0.1mm SUS	1	NATURAL	ALL MATERIALS MUST BE COMPLIANT TO ROHS			CHK'D	FANGYING	2003-4-6
1	KNOB	BRASS	1	WHITE				APPD.	KANGXINAN	2003-4-6
NO.	PARTS	MATERIALS	Q'TY	FINISH						